

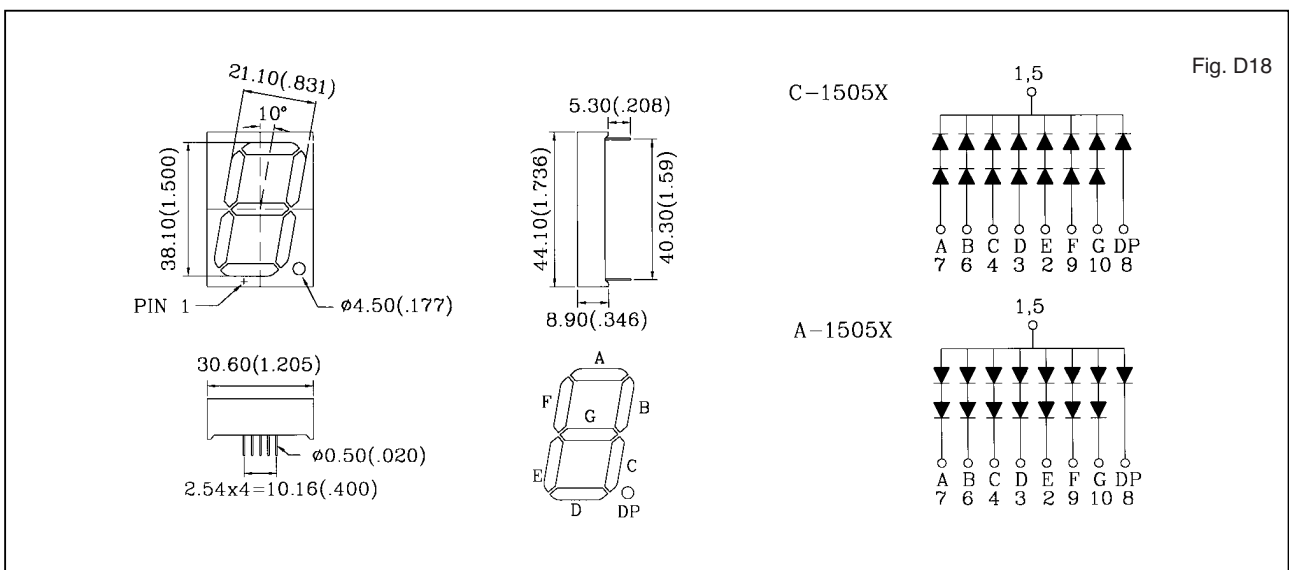
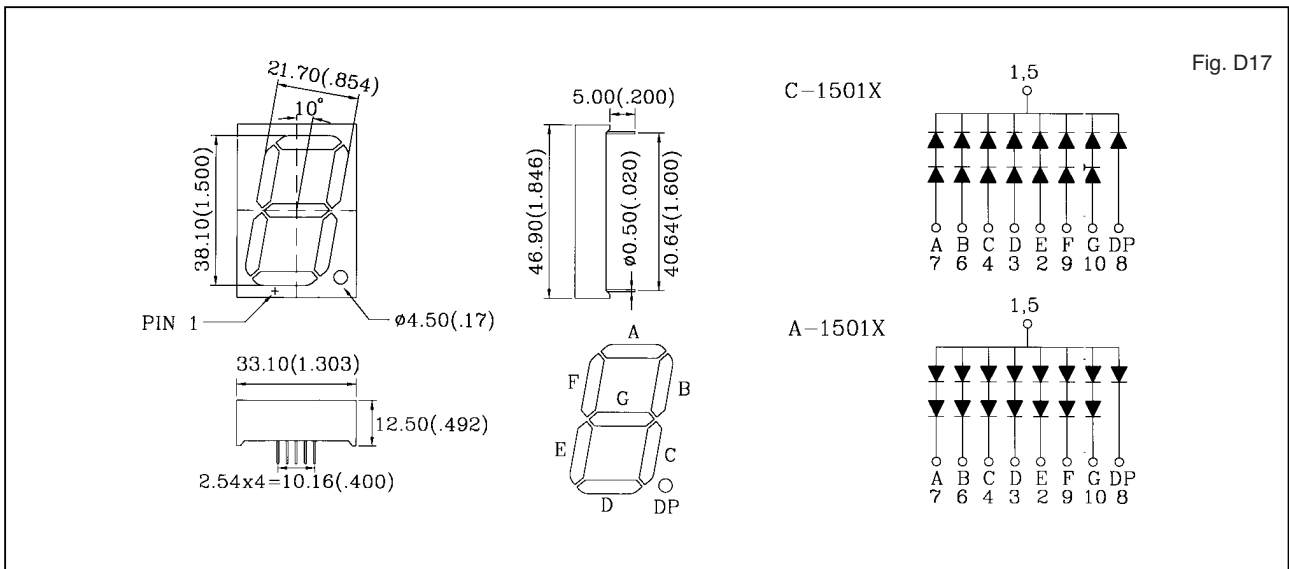


C/A-1501X, C/A-1505X SINGLE DIGIT DISPLAY

Shape	Part No.		Chip		Wave Length λ p(nm)	Electro-Optical Characteristics			Fig.No.
	Common Cathode	Common Anode	Raw Material	Emitted Color		Vf(V)20mA		Iv(ucd)10mA	
						Typ.	Max.	Typ.	
	C-1501E	A-1501E	GaAsP/GaP	Hi.effi Red	635	4.2	5.6	4200	D17
	C-1501G	A-1501G	GaP	Green	565	4.4	5.6	4000	
	C-1501Y	A-1501Y	GaAsP/GaP	Yellow	585	4.2	5.6	3200	
	C-1501SR	A-1501SR	GaAlAs	Super Red	660	3.6	4.4	40000	
	C-1505E	A-1505E	GaAsP/GaP	Hi.effi Red	635	4.2	5.6	4200	D18
	C-1505G	A-1505G	GaP	Green	565	4.4	5.6	4000	
	C-1505Y	A-1505Y	GaAsP/GaP	Yellow	585	4.2	5.6	3200	
	C-1505SR	A-1505SR	GaAlAs	Super Red	660	3.6	4.4	40000	



- 1.All dimension are in millimeters (inches).
- 2.Tolerance is ± 0.25 mm (0.01") unless otherwise specified.


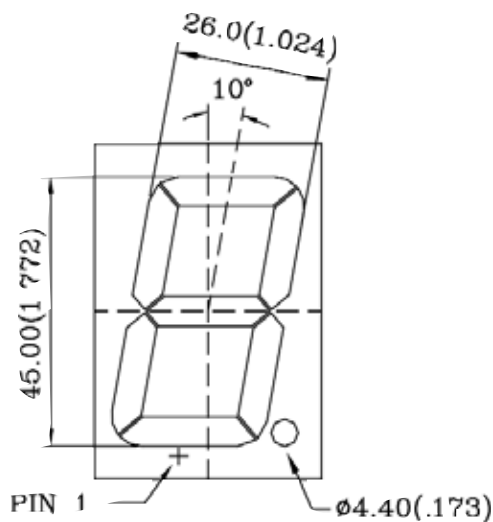
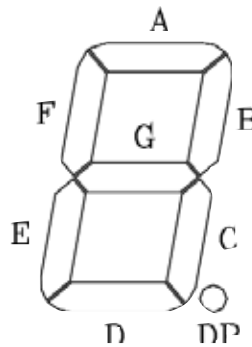
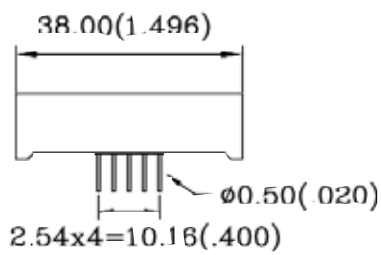
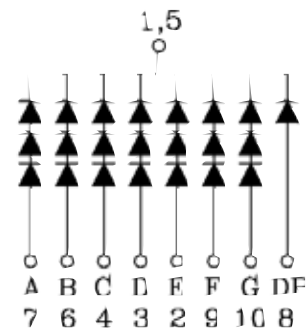
Shape	Part No.		Chip		Wave Length λ p(nm)	Electro-Optical Characteristics			Fig.No.
	Common Cathode	Common Anode	Raw Material	Emitted Color		Vf(V)20mA		lv(ucd)10mA	
						Typ.	Max.	Typ.	
	C-1801E	A-1801E	GaAsP/GaP	Hi.effi Red	635	6.0	8.4	5600	D19
	C-1801G	A-1801G	GaP	Green	565	6.3	8.4	5200	
	C-1801Y	A-1801Y	GaAsP/GaP	Yellow	585	6.6	8.4	5200	
	C-1801SR	A-1801SR	GaAlAs	Super Red	660	5.4	6.6	40000	

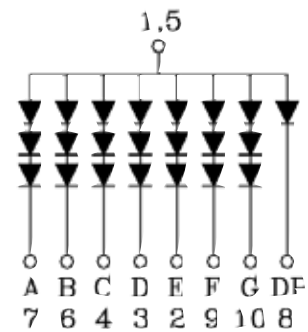
Fig. D19



C-1801X



A-1801X



- 1.All dimension are in millimeters (inches).
- 2.Tolerance is ± 0.25 mm (0.01") unless otherwise specified.


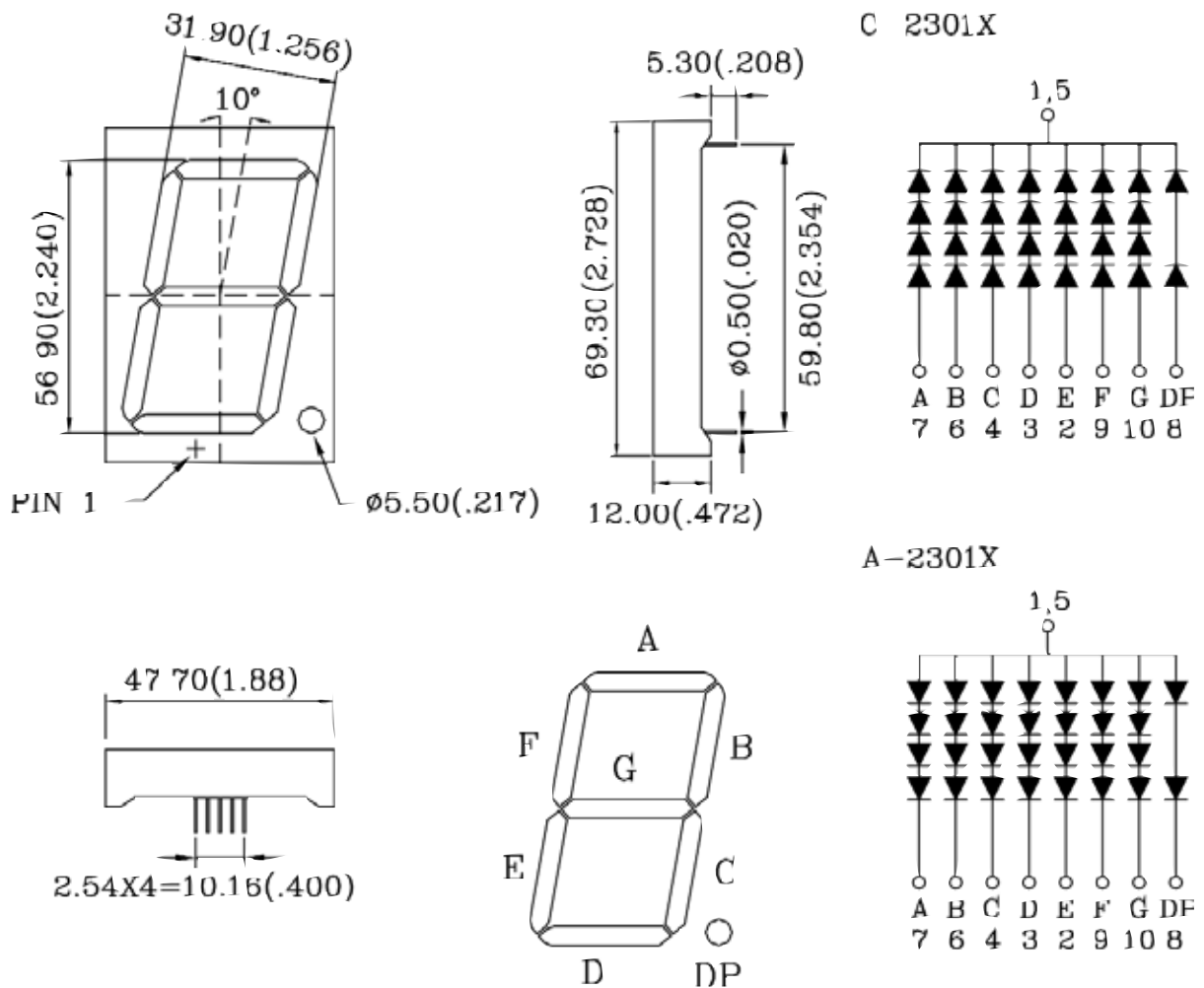
Shape	Part No.		Chip		Wave Length λ p(nm)	Electro-Optical Characteristics			Fig.No.
	Common Cathode	Common Anode	Raw Material	Emitted Color		Vf(V)20mA		Iv(ucd)10mA	
						Typ.	Max.	Typ.	
	C-2301E	A-2301E	GaAsP/GaP	Hi.effi Red	635	8.4	10.0	6000	D20
	C-2301G	A-2301G	GaP	Green	565	8.8	10.0	5400	
	C-2301Y	A-2301Y	GaAsP/GaP	Yellow	585	8.4	10.0	5400	
	C-2301SR	A-2301SR	GaAlAs	Super Red	660	7.2	8.8	42000	

Fig. D20



- 1.All dimension are in millimeters (inches).
- 2.Tolerance is ± 0.25 mm (0.01") unless otherwise specified.


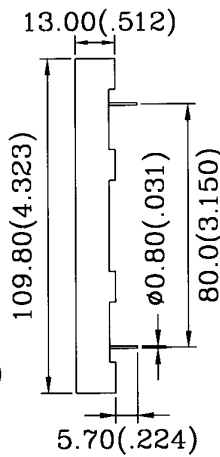
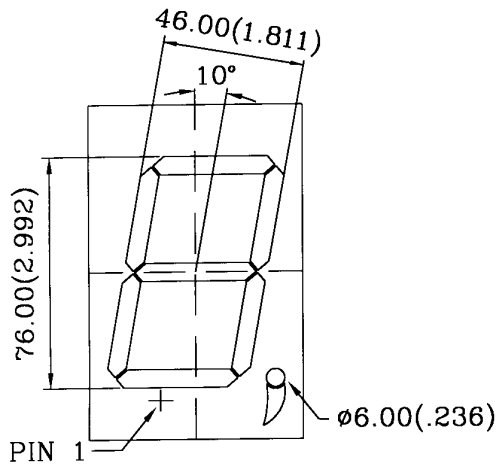
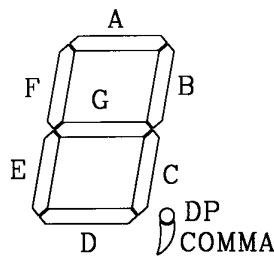
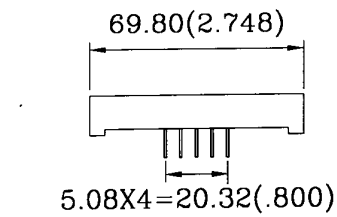
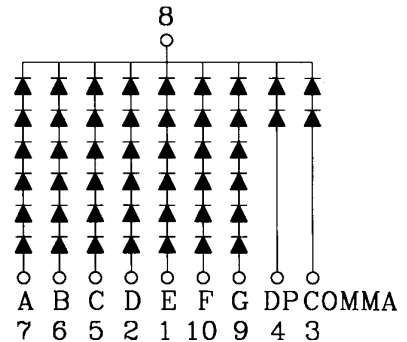
Shape	Part No.		Chip		Wave Length λ_p (nm)	Electro-Optical Characteristics			Fig.No.
	Common Cathode	Common Anode	Raw Material	Emitted Color		Vf(V)20mA		Iv(ucd)10mA	
						Typ.	Max.	Typ.	
	C-3001E	A-3001E	GaAsP/GaP	Hi.effi Red	635	12.6	15.0	6000	D21
	C-3001G	A-3001G	GaP	Green	565	13.2	15.0	5400	
	C-3001Y	A-3001Y	GaAsP/GaP	Yellow	585	12.0	15.0	5400	
	C-3001SR	A-3001SR	GaAlAs	Super Red	660	11.0	13.2	42000	

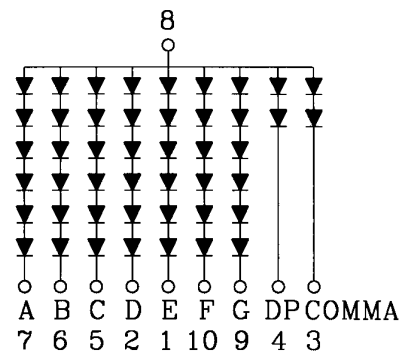
Fig. D21



C-3001X



A-3001X



- 1.All dimension are in millimeters (inches).
- 2.Tolerance is ± 0.25 mm (0.01") unless otherwise specified.


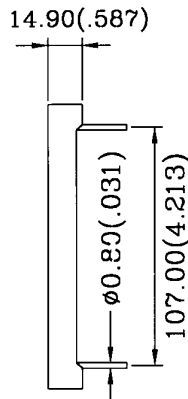
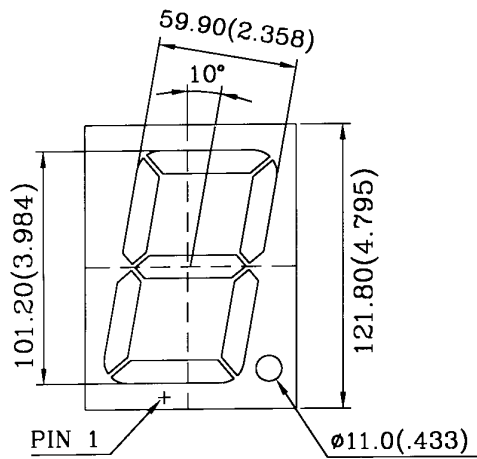
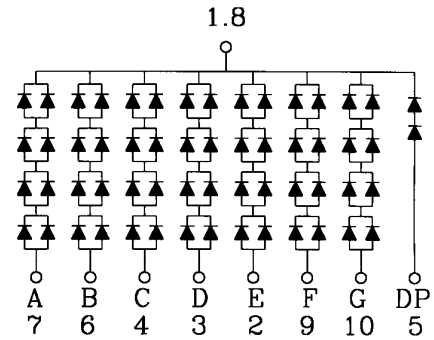
Shape	Part No.		Chip		Wave Length λ p(nm)	Electro-Optical Characteristics			Fig.No.
	Common Cathode	Common Anode	Raw Material	Emitted Color		Vf(V)20mA		Iv(ucd)10mA	
						Typ.	Max.	Typ.	
	C-4001E	A-4001E	GaAsP/GaP	Hi.effi Red	635	8.4	10.0	12000	D22
	C-4001G	A-4001G	GaP	Green	565	8.8	10.0	9000	
	C-4001Y	A-4001Y	GaAsP/GaP	Yellow	585	8.4	10.0	9000	
	C-4001SR	A-4001SR	GaAlAs	Super Red	660	7.5	8.8	60000	

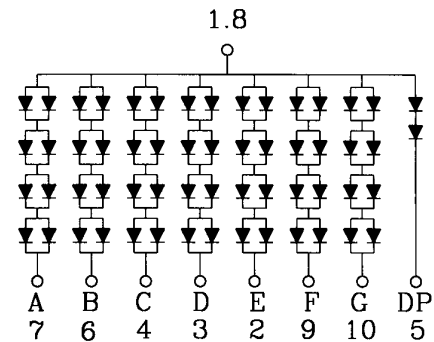
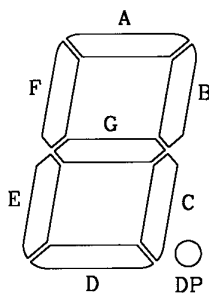
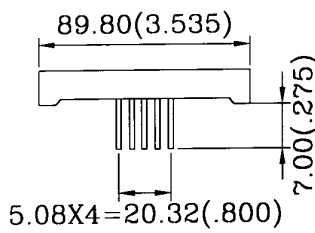
Fig. D22



C-4001X



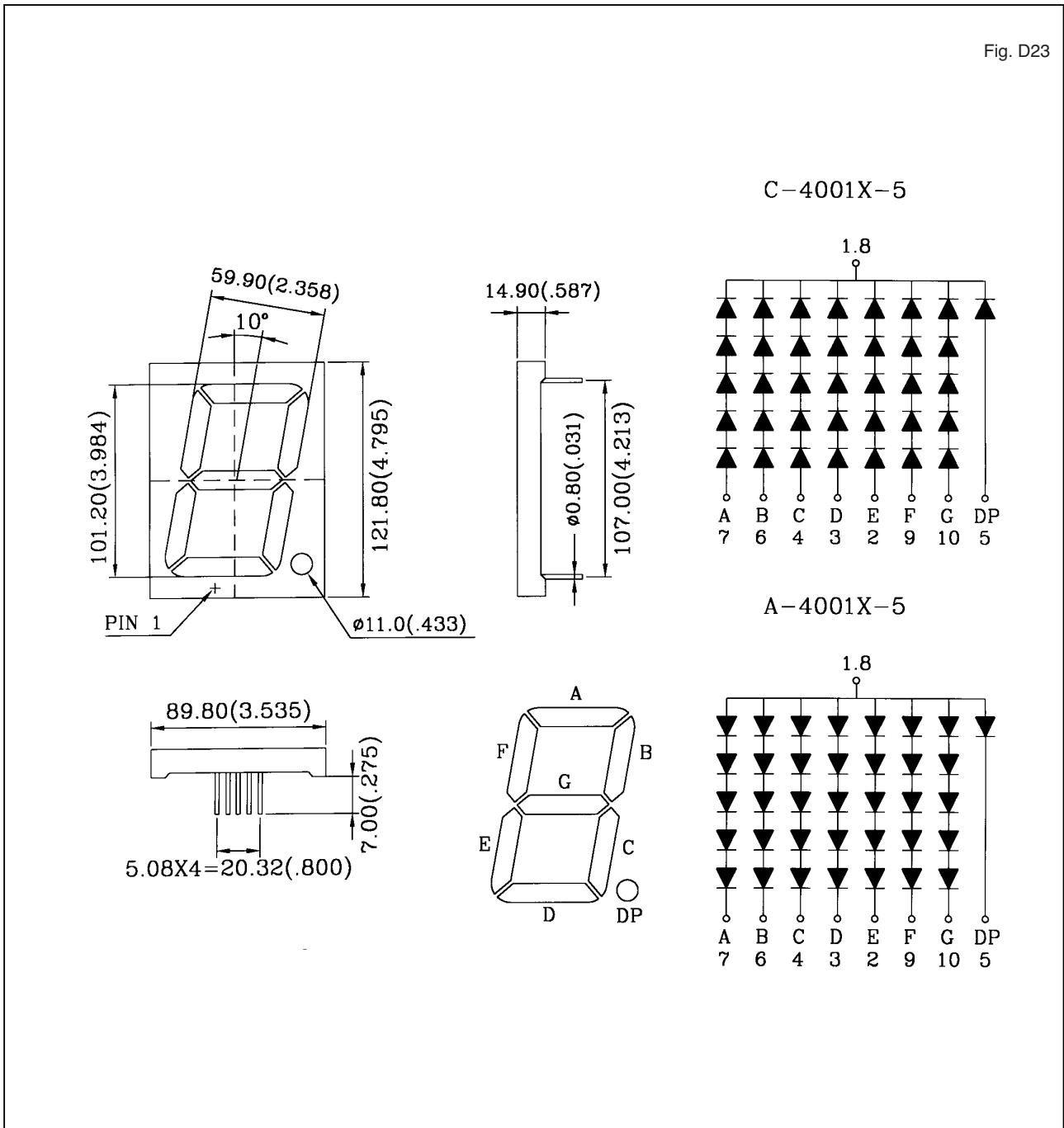
A-4001X



- 1.All dimension are in millimeters (inches).
- 2.Tolerance is ± 0.25 mm (0.01") unless otherwise specified.

Shape	Part No.		Chip		Wave Length λ p(nm)	Electro-Optical Characteristics			Fig.No.
	Common Cathode	Common Anode	Raw Material	Emitted Color		Vf(V)20mA		Iv(ucd)10mA	
						Typ.	Max.	Typ.	
	C-4001E-5	A-4001E-5	GaAsP/GaP	Hi.effi Red	635	10.5	13.5	9000	D23
	C-4001G-5	A-4001G-5	GaP	Green	565	11.0	13.5	8000	
	C-4001Y-5	A-4001Y-5	GaAsP/GaP	Yellow	585	10.5	12.5	8000	
	C-4001SR-5	A-4001SR-5	GaAlAs	Super Red	660	9.5	11.0	50000	

Fig. D23



- 1.All dimension are in millimeters (inches).
- 2.Tolerance is ± 0.25 mm (0.01") unless otherwise specified.


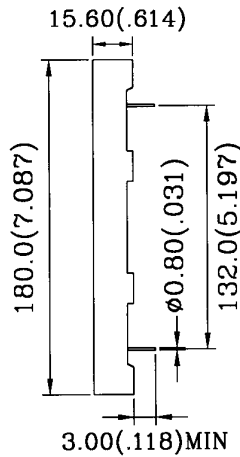
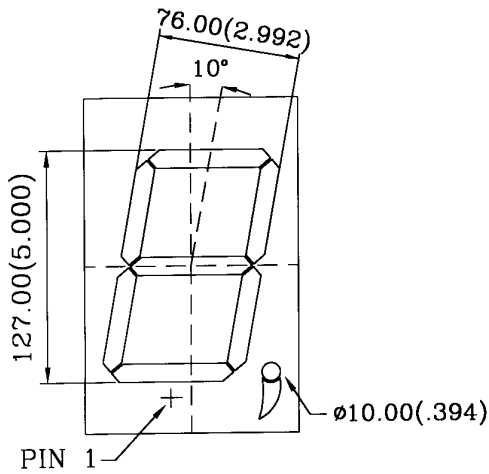
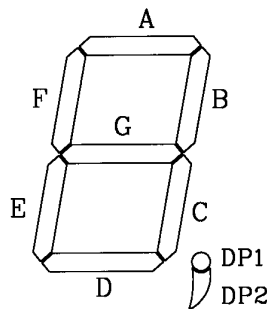
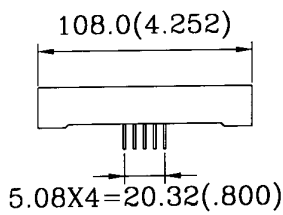
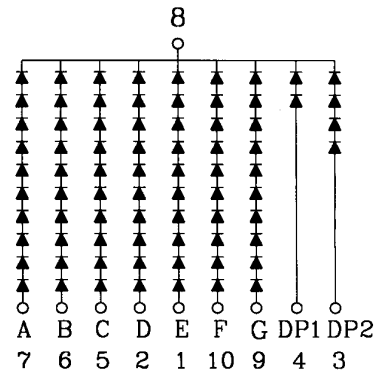
Shape	Part No.		Chip		Wave Length λ p(nm)	Electro-Optical Characteristics			Fig.No.
	Common Cathode	Common Anode	Raw Material	Emitted Color		Vf(V)20mA		lv(ucd)10mA	
						Typ.	Max.	Typ.	
	C-5001E	A-5001E	GaAsP/GaP	Hi.effi Red	635	21.0	24.0	30000	D24
	C-5001G	A-5001G	GaP	Green	565	22.0	24.0	30000	
	C-5001Y	A-5001Y	GaAsP/GaP	Yellow	585	21.0	23.0	30000	
	C-5001SR	A-5001SR	GaAlAs	Super Red	660	18.0	22.0	60000	

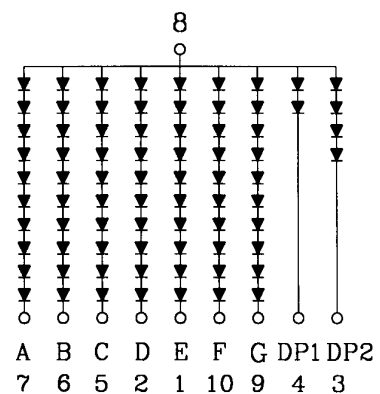
Fig. D24



C-5001X



A-5001X



- 1.All dimension are in millimeters (inches).
- 2.Tolerance is ± 0.25 mm (0.01") unless otherwise specified.