

MM SERIES MINIATURE MICRO SWITCH

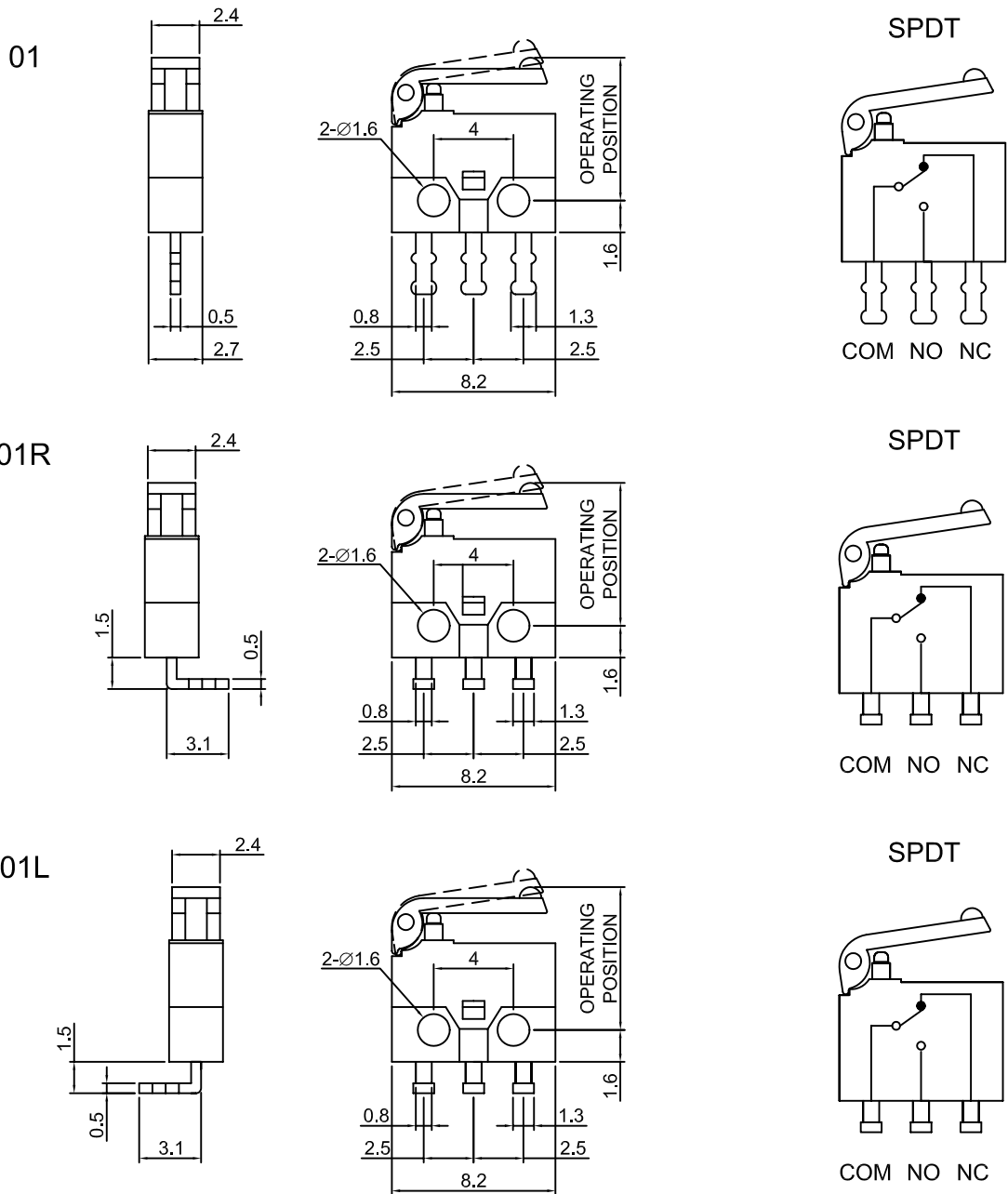


1. RATING : 30 V DC , 500 mA .
2. CONTACT RESISTANCE : 100 mΩ MAX .
3. INSULATION RESISTANCE : 500 V DC , 100 MΩ MIN .
4. OPERATING FORCE : 50 gf MAX .
5. OPERATING TEMPERATURE : -20°C ~ 70°C .
6. OPERATING LIFE : 100,000 CYCLES .

HOW TO ORDER

MM	-		
SERIES		TERMINAL TYPE	OPERATION POSITION
MINIATURE MICRO SWITCH		01 01R 01L	A B C

TERMINAL TYPE



OPERATION POSITION

* A.	6.2~7.2 mm
B.	6.55~6.85 mm
C.	6.7~7.1 mm

* :Standard